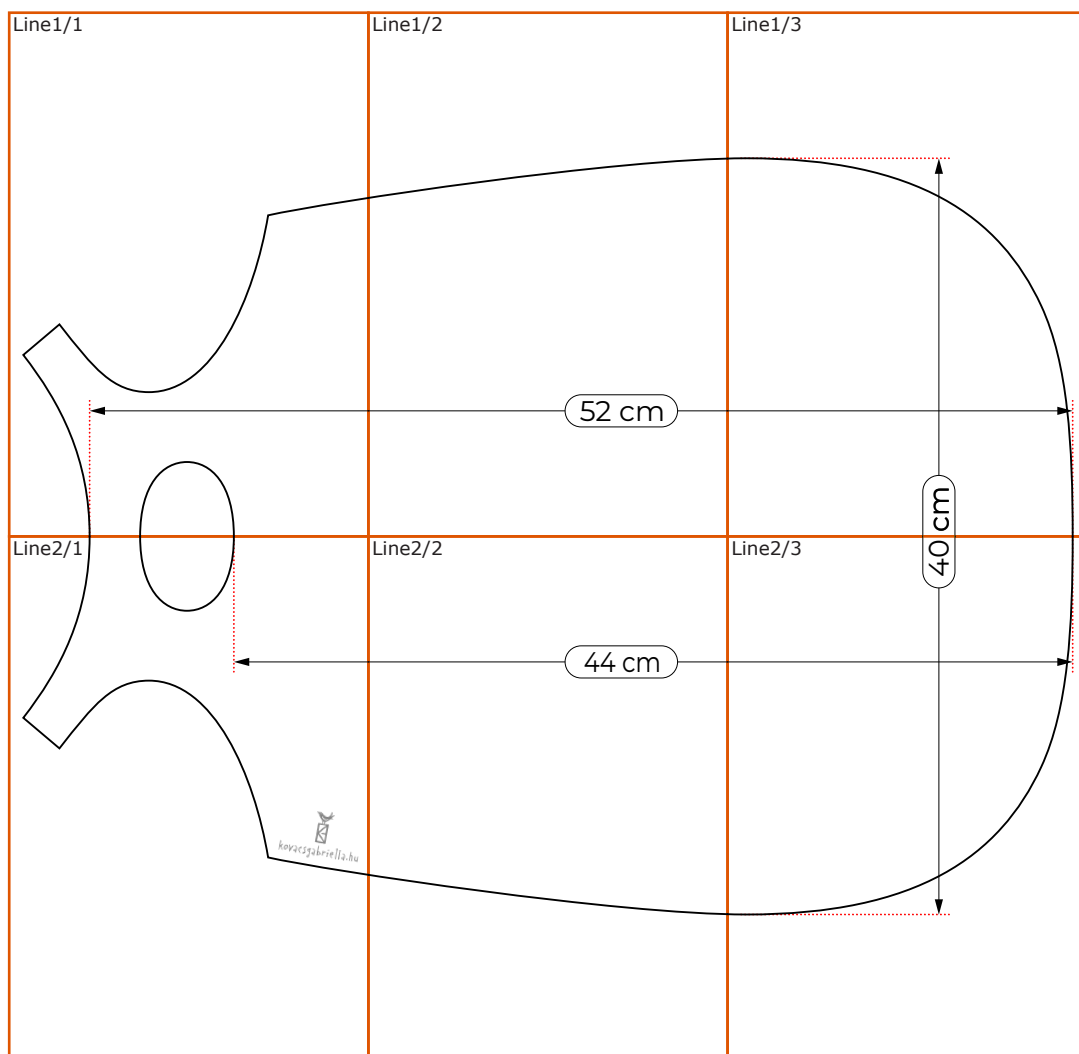


Creating a Felted Backpack

The Main Body – final size

You can find the method how to glue A/4 sheets together at the beginning of the Episode 3. (Making the Prefelt).

When you print these pages, please set up your printer without margins printing. (Print settings: "Actual Size", or Scaling: 100%, not "Fit")

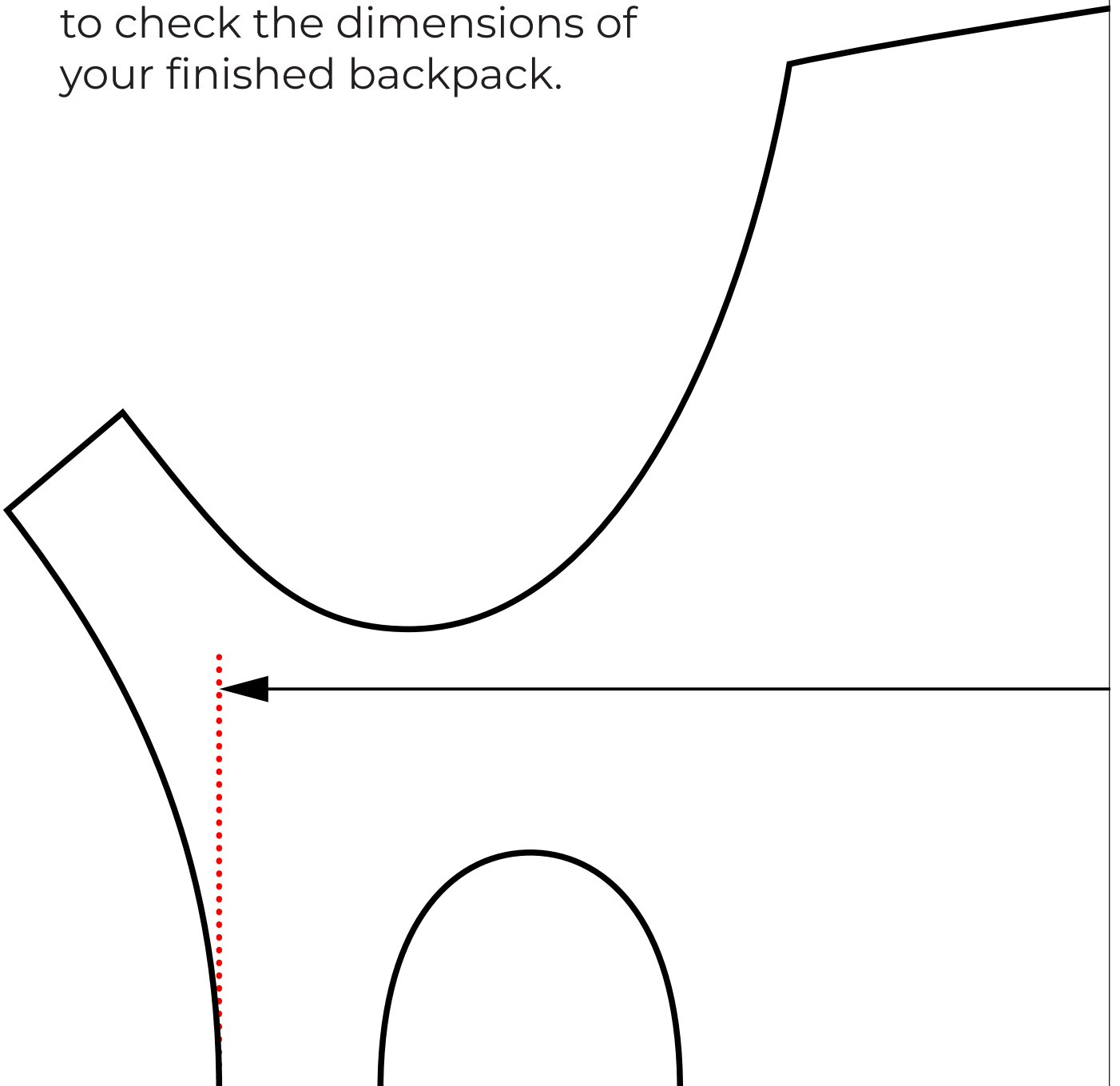


Line1/1

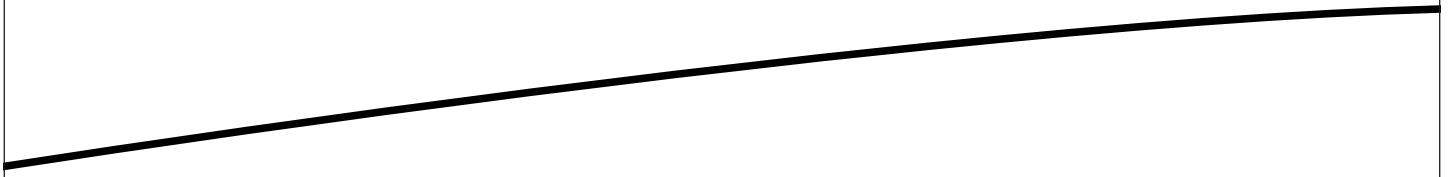
Creating a Felted Backpack

The MainBody's Final Size

You can use this template
to check the dimensions of
your finished backpack.

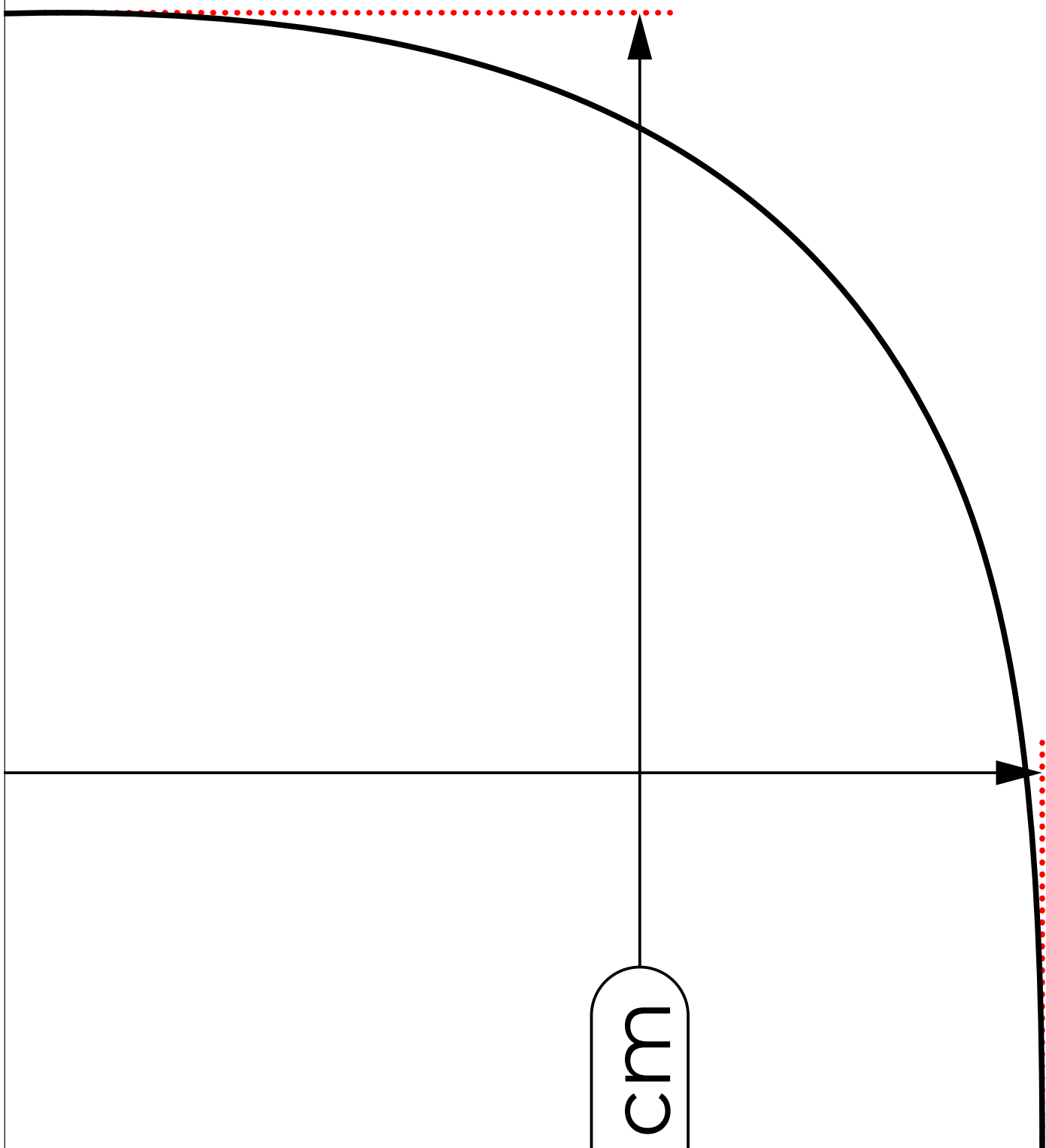


Line1/2

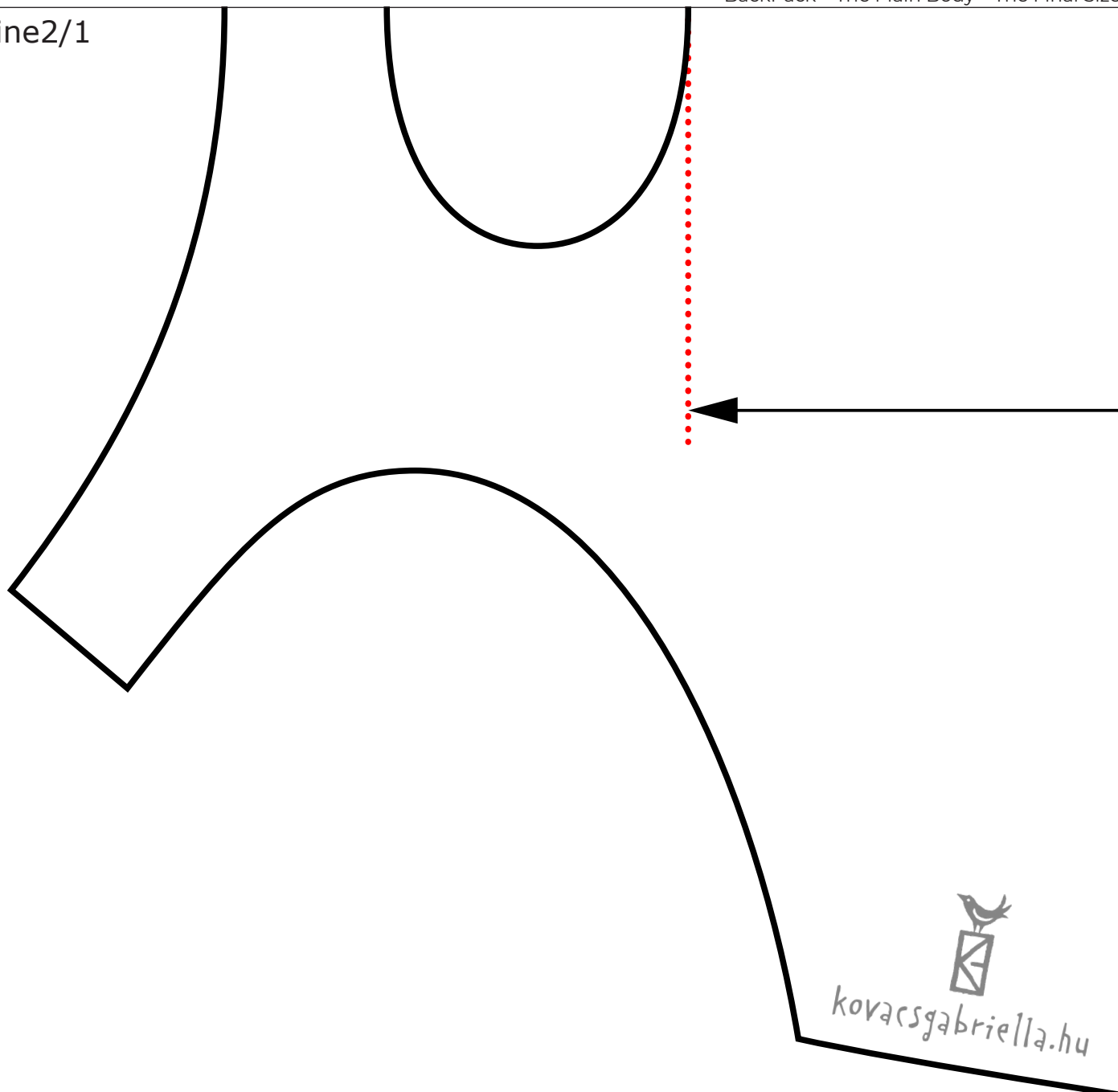


52 cm

Line1/3



Line2/1



kovacsgabriella.hu

Line2/2



44 cm

Line2/3

